



- 1
- 2
- 3
- 4
- 5
- 6
- 7
- 8
- 9
- 10
- 11
- 12
- 13
- 14
- 15
- 16
- 17
- 18
- 19

**STANDARD EXECUTIONS**

Clamping assembly by means of phosphatised steel class 8.8 (GN 706.2-ST) or AISI 304 stainless steel (GN 706.2-NI and GN 706.2-AL) grub screws, cylindrical head with hexagon socket.

Threaded pass-through hole ( $d1 = 16 \div 36$ ).

Threaded blind hole ( $d1 \geq 42$ ).

- **GN 706.2-AL**: natural aluminium.
- **GN 706.2-ST**: sintered black-oxide steel.
- **GN 706.2-NI**: sintered AISI 316 LHC stainless steel.

**FEATURES AND APPLICATIONS**

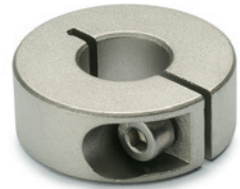
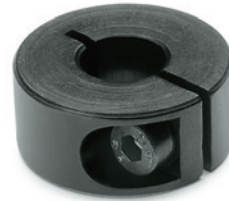
GN 706.2 semi-split set collars can be used not only as end stops, but they can also be used for fixing other components, such as end limit switches.

No risk of damage to the surfaces of the shaft even when high clamping forces are necessary.

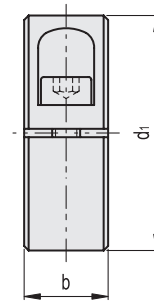
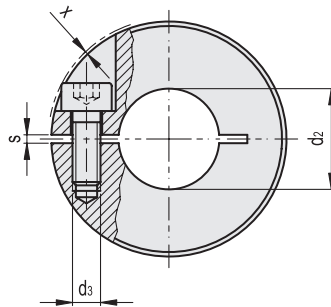
The clamping screw d3 may be replaced by clamping kit GN 311 (see page -).

**TECHNICAL DATA**

Assembly on h11 tolerance shafts.



Conversion Table	
1 mm = 0.039 inch	
d1	
mm	inch
16	0.62
20	0.78
22	0.86
26	1.01
30	1.17
32	1.25
36	1.40
42	1.64
48	1.87
55	2.15
60	2.34
65	2.54



**GN 706.2-AL**

**METRIC**

Code	Description	d1	d2 H10	d3	b±0.2	s	x*	Δ
GN.36720	GN 706.2-20-B6-AL	20	B 6	M 3	9	2.1	1.2	8
GN.36725	GN 706.2-22-B8-AL	22	B 8	M 3	9	2.1	1	9
GN.36730	GN 706.2-26-B10-AL	26	B 10	M 4	11	2.1	1.6	14
GN.36735	GN 706.2-30-B12-AL	30	B 12	M 4	11	2.1	0.7	18
GN.36740	GN 706.2-32-B14-AL	32	B 14	M 4	11	2.1	0.7	20
GN.36745	GN 706.2-36-B15-AL	36	B 15	M 5	13	2.1	1.4	31
GN.36713	GN 706.2-36-B16-AL	36	B 16	M 5	13	2.1	1.4	30
GN.36750	GN 706.2-42-B18-AL	42	B 18	M 5	15	3	0.6	45
GN.36714	GN 706.2-42-B20-AL	42	B 20	M 5	15	3	0.6	43
GN.36715	GN 706.2-48-B22-AL	48	B 22	M 5	15	3	0	57
GN.36716	GN 706.2-48-B25-AL	48	B 25	M 5	15	3	0	53
GN.36760	GN 706.2-55-B28-AL	55	B 28	M 6	15	3	0.5	71
GN.36717	GN 706.2-55-B30-AL	55	B 30	M 6	15	3	0.5	68
GN.36765	GN 706.2-60-B32-AL	60	B 32	M 6	15	4	0.4	82
GN.36718	GN 706.2-60-B35-AL	60	B 35	M 6	15	4	0.4	76
GN.36770	GN 706.2-65-B40-AL	65	B 40	M 6	15	4	0.5	83

**GN 706.2-ST**

**METRIC**

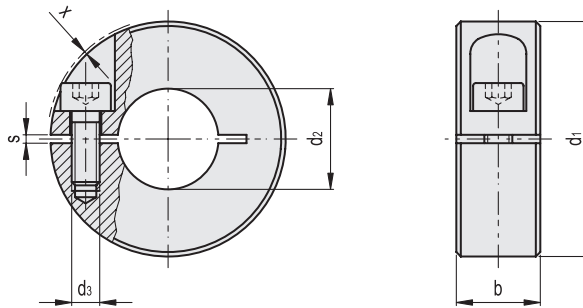
Code	Description	d1	d2 H10	d3	b±0.2	s	x*	Δ
GN.45302	GN 706.2-16-B4-ST	16	B 4	M 3	9	2.1	1.2	10
GN.45304	GN 706.2-16-B5-ST	16	B 5	M 3	9	2.1	1.2	11
GN.36722	GN 706.2-20-B6-ST	20	B 6	M 3	9	2.1	1.2	20
GN.36727	GN 706.2-22-B8-ST	22	B 8	M 3	9	2.1	1	18
GN.36732	GN 706.2-26-B10-ST	26	B 10	M 4	11	2.1	1.6	32
GN.36737	GN 706.2-30-B12-ST	30	B 12	M 4	11	2.1	0.7	41
GN.36742	GN 706.2-32-B14-ST	32	B 14	M 4	11	2.1	0.7	40
GN.36747	GN 706.2-36-B15-ST	36	B 15	M 5	13	2.1	1.4	70
GN.36749	GN 706.2-36-B16-ST	36	B 16	M 5	13	2.1	1.4	68
GN.36752	GN 706.2-42-B18-ST	42	B 18	M 5	15	3	0.6	109
GN.36754	GN 706.2-42-B20-ST	42	B 20	M 5	15	3	0.6	105
GN.36757	GN 706.2-48-B22-ST	48	B 22	M 5	15	3	0	139
GN.36759	GN 706.2-48-B25-ST	48	B 25	M 5	15	3	0	126
GN.36762	GN 706.2-55-B28-ST	55	B 28	M 6	15	3	0.5	171
GN.36764	GN 706.2-55-B30-ST	55	B 30	M 6	15	3	0.5	162
GN.36767	GN 706.2-60-B32-ST	60	B 32	M 6	15	4	0.4	196
GN.36769	GN 706.2-60-B35-ST	60	B 35	M 6	15	4	0.4	178
GN.36772	GN 706.2-65-B40-ST	65	B 40	M 6	15	4	0.5	199

Standard machine parts

1 \* Max protrusion of the screw head.

- 1
- 2
- 3
- 4
- 5
- 6
- 7
- 8
- 9
- 10
- 11
- 12
- 13
- 14
- 15
- 16
- 17
- 18
- 19

Conversion Table	
1 mm = 0.039 inch	
d1	
mm	inch
16	0.62
20	0.78
22	0.86
26	1.01
30	1.17
32	1.25
36	1.40
42	1.64
48	1.87
55	2.15
60	2.34
65	2.54



GN 706.2-NI

INOX STAINLESS STEEL METRIC

Code	Description	d1	d2 H10	d3	b±0.2	s	x*	
GN.45301	GN 706.2-16-B4-NI	16	B 4	M 3	9	2.1	1.2	10
GN.45303	GN 706.2-16-B5-NI	16	B 5	M 3	9	2.1	1.2	11
GN.36721	GN 706.2-20-B6-NI	20	B 6	M 3	9	2.1	1.2	18
GN.36726	GN 706.2-22-B8-NI	22	B 8	M 3	9	2.1	1	19
GN.36731	GN 706.2-26-B10-NI	26	B 10	M 4	11	2.1	1.6	33
GN.36736	GN 706.2-30-B12-NI	30	B 12	M 4	11	2.1	0.7	40
GN.36741	GN 706.2-32-B14-NI	32	B 14	M 4	11	2.1	0.7	40
GN.36746	GN 706.2-36-B15-NI	36	B 15	M 5	13	2.1	1.4	73
GN.36748	GN 706.2-36-B16-NI	36	B 16	M 5	13	2.1	1.4	66
GN.36751	GN 706.2-42-B18-NI	42	B 18	M 5	15	3	0.6	100
GN.36753	GN 706.2-42-B20-NI	42	B 20	M 5	15	3	0.6	90
GN.36756	GN 706.2-48-B22-NI	48	B 22	M 5	15	3	0	120
GN.36758	GN 706.2-48-B25-NI	48	B 25	M 5	15	3	0	120
GN.36761	GN 706.2-55-B28-NI	55	B 28	M 6	15	3	0.5	174
GN.36763	GN 706.2-55-B30-NI	55	B 30	M 6	15	3	0.5	150
GN.36766	GN 706.2-60-B32-NI	60	B 32	M 6	15	4	0.4	179
GN.36768	GN 706.2-60-B35-NI	60	B 35	M 6	15	4	0.4	160
GN.36771	GN 706.2-65-B40-NI	65	B 40	M 6	15	4	0.5	183

\* Max protrusion of the screw head.